

For Commercial Applications

Job Name _____

Item Designation _____

Job Location _____

Contractor _____

Engineer _____

Representative _____

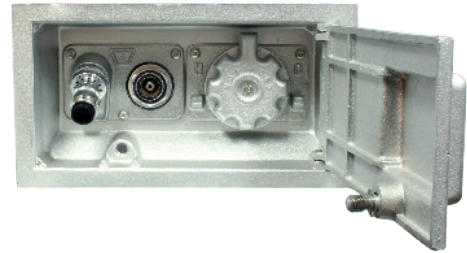
Wall Thickness: _____

Box Finish Only: CH ___ BR ___ PB ___

Woodford

Model HCB67^{Box}_{Type}

Backflow Protected Hot & Cold Mixer Automatic Draining Freezeless Wall Hydrant



Exterior Finish:
Standard - Chrome (CH)
Optional - Brass (BR) Polished Brass (PB)

The Model HCB67 is an automatic draining, freezeless Hot & Cold wall hydrant with hose connection Backflow Protection and housed in a tamper resistant brass box. The hydrant drains as handle is shut off, *even if hose is attached*. The Model HC67 is intended for irrigation purposes and is designed for commercial use where outside hot and cold water service is required.

Sizes: 4" - 24" (in 2" increments)
CC (Close Coupled) for non-freezing climates

Features:

- Red Brass head, valve body, mixer control, box and door
- One piece box construction
- 3/4" female pipe thread inlets
- Inlet check valves prevent hot & cold migration
- 3/8" solid brass operating rod
- Copper casing tubes
- Hardened stainless steel operating stem
- One piece valve plunger
- Loose tee key operation
- No Lead Solder - All joints
- Adjustable wall clamp

Specifications:

PATENTED HIGH FLOW DOUBLE CHECK BACKFLOW PREVENTER

- NIDEL® Model 50HA with 3/4 inch male hose thread
- ASSE Standard 1052 approved
- Field Testable
- Two Independent Check Valves
- Drains automatically when hose is removed
- No spray back

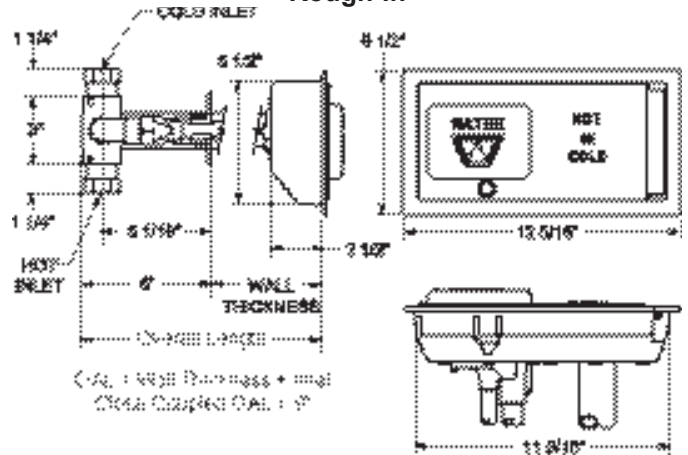
• **Maximum Working Pressure:** 125 p.s.i.

• **Maximum Temperature:** 120° F

Specify as follows:

Wall hydrant shall be a Woodford Model HCB67, Hot and Cold, automatic draining with ASSE 1052 approved NIDEL® Model 50HA high flow double check backflow preventer housed in a brass box. 3/4" inlets and outlet. Hardened stainless steel operating stem and one-piece valve plunger to control both flow and drain functions. Exterior finish to be Chrome Plated (options: Rough Brass or Polished Brass.) Loose tee key to be furnished with each hydrant. Intended for irrigation purposes Wall thickness to be _____ inches.

Rough-In



WOODFORD MANUFACTURING COMPANY, LLC

2121 WAYNOKA ROAD
COLORADO SPRINGS, CO 80915
Phone (800) 621-6032
Website: www.woodfordmfg.com
Email: sales@woodfordmfg.com